

# Model IDS628

## SDS LOAD CELL

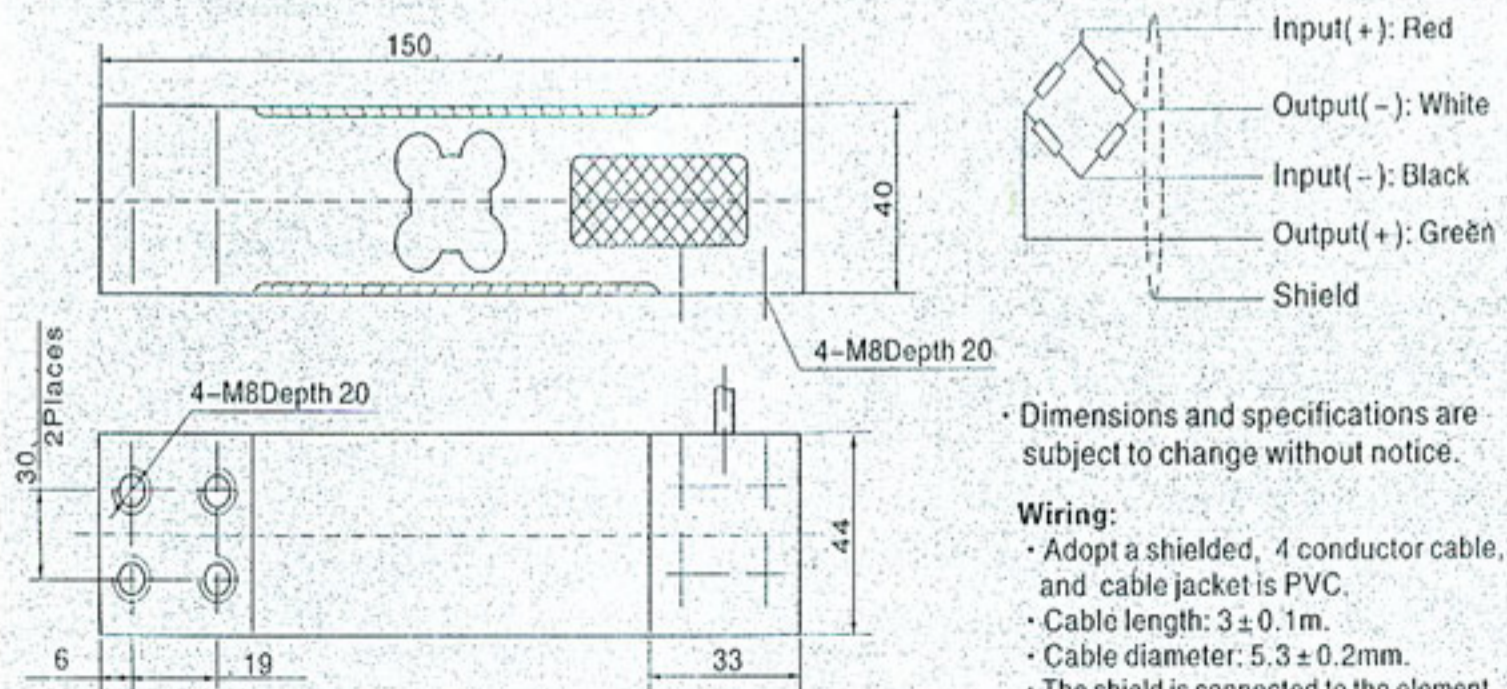


### Specifications

Capacity	kg	50/100/150/200/ 300
Output Sensitivity	mv/v	2.0 ± 0.2
Accuracy class		C3
Temperature effect on zero	%FS/10°C	0.0200
Temperature effect on sensitivity	+20°C~+40°C	0.0175
	-10°C~+20°C	0.0117
Combined error	%FS	0.0200
Creep	%FS	0.0167
Input resistance	Ω	406 ± 6
Output resistance	Ω	350 ± 3
Insulation resistance	MΩ	≥5000
Zero balance	%FS	2
Temperature, compensated	°C	-10 ~ +40
Temperature, operating	°C	-20 ~ +50
Excitation, Recommended	V	5-15
Safe overload	%FS	150
Ultimate overload	%FS	300

All specifications listed subject to change without notice.

### Outline Dimension mm



• Dimensions and specifications are subject to change without notice.

#### Wiring:

- Adopt a shielded, 4 conductor cable, and cable jacket is PVC.
- Cable length: 3 ± 0.1m.
- Cable diameter: 5.3 ± 0.2mm.
- The shield is connected to the element.